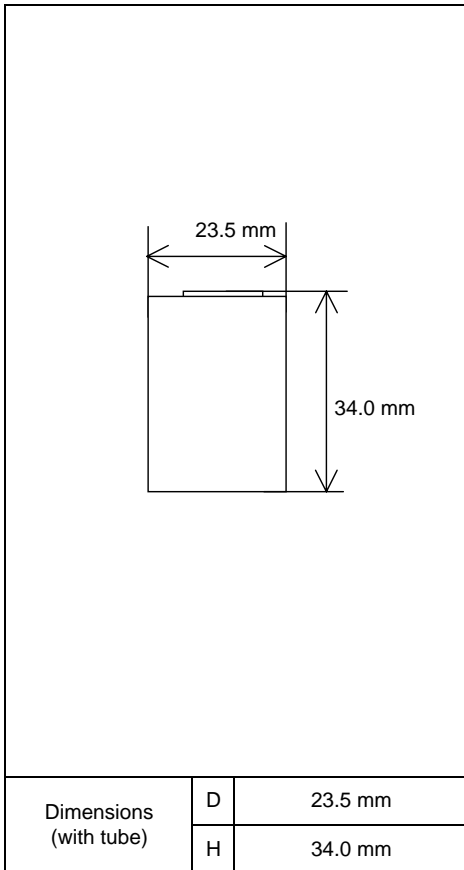


### Specifications

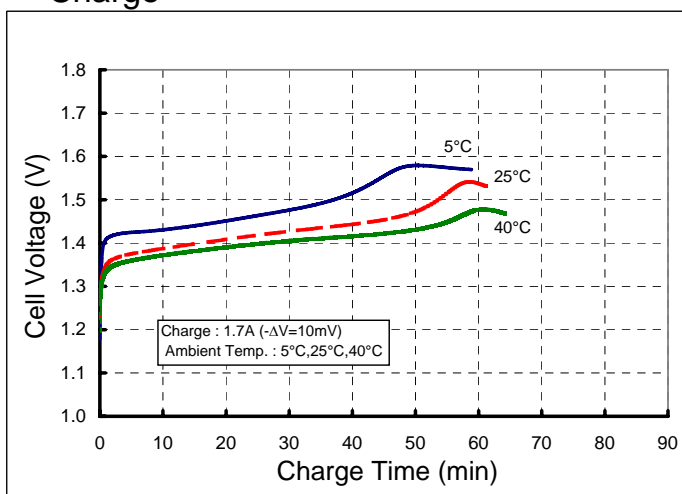


Type : Nickel-Cadmium Battery		Size : 4/5SC	
Capacity <sub>1)</sub>	Typical	1700mAh	
	Minimum	1600mAh	
Nominal Voltage		1.2V	
Charging Current x Time	Standard	170 mA x about 14 to 16Hrs.	
	Fast	2550 mA x about 1Hr.	
Ambient Temp.	Charge Condition	Standard	0°C to +45°C [+32°F to +113°F]
		Fast	+5°C to +40°C [+41°F to +104°F]
	Discharge Condition		-20°C to +60°C [-4°F to +140°F]
	Storage Condition		-30°C to +50°C [-22°F to +122°F]
Internal Impedance (Av.) (at 50% discharge)		About 4.5m (at 1000Hz)	
Weight <sub>2)</sub>		About 46 g	
Size <sub>2)</sub> : (Diameter) x (Height)		23.5(D) x 34.0(H) mm	

1) Charge : 170mA x 16h, Discharge : 340mA (E.V.=1.0V) at 25°C  
 2) With tube.

### Typical Characteristics

#### Charge



#### Discharge

