



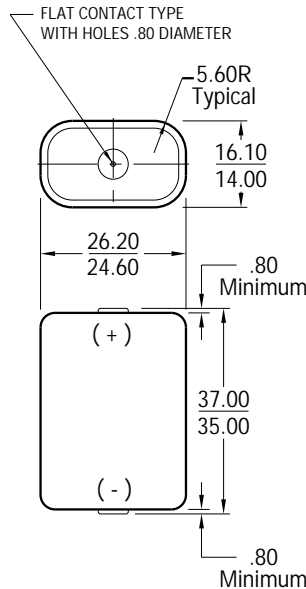
Eveready Battery Company, Inc.
 Checkerboard Square
 St. Louis, MO 63164
 Telephone: 1-800-383-7323
 Internet: www.energizer.com

Engineering Data

EVEREADY NO. 411

*Zinc Chloride 15V
 No Added Mercury or Cadmium*

Dimensions (mm)



Millimeters	Inches
.80	.031
5.60	.220
14.00	.551
16.10	.634
24.60	.969
26.20	1.031
35.00	1.378
37.00	1.457

Chemical System: Zinc-Manganese Dioxide (Zn/MnO₂)

Designation: ANSI-208, IEC-10F20

Battery Voltage: 15 Volts

Average Weight: 27 grams (1.0 oz.)

Volume: 15 cubic centimeters (0.9 cubic inch)

Average Service Capacity (to 0.8 Volt / cell): 140 mAh
 (Rated capacity at 25 mA continuous drain)

Cells: Ten No. 112 in series

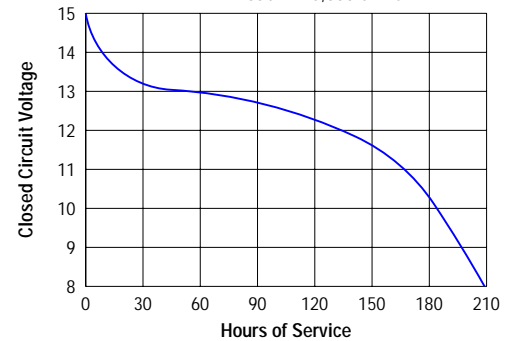
Jacket: Metal

TYPICAL DISCHARGE CHARACTERISTICS

Schedule: 4 hours/day

Typical Drain @ 12V: 0.8 milliamperes

Load: 15,000 ohms



SIMULATED APPLICATION TESTS
 Estimated Average Service at 21°C (70°F)

Schedule	Typical Drains @ 12V (milliamperes)	Load (ohms)	CUTOFF VOLTAGE					
			8.0V	9.0V	10V	11V	12V	13V
4 hours / day	0.8	15,000	209	197	184	167	134	55

IMPORTANT NOTICE

This data sheet contains information specific to batteries manufactured at time of its publication. Please contact your Energizer representative for most current information. Contents herein do not constitute a warranty.