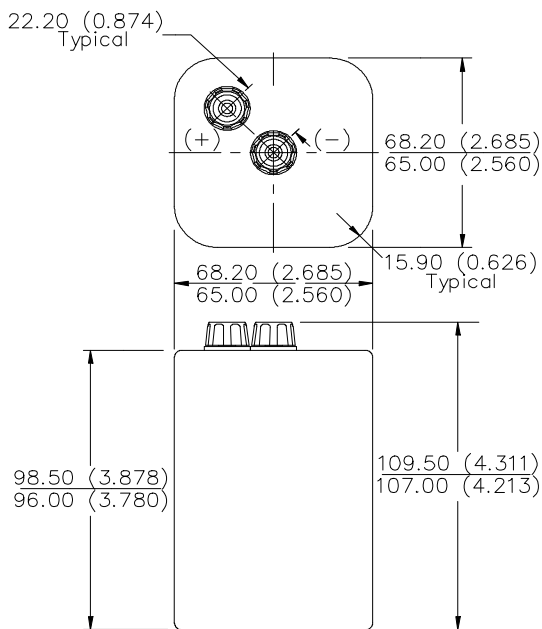


ENERGIZER NO. 510S

6V
CLASSIC



Industry Standard Dimensions in mm (inches)



THIS BATTERY WILL PASS FREELY THROUGH A CYLINDRICAL TUBE 82.6 DIAMETER x 101.6 LONG.

- Chemical System:** Zinc-Manganese Dioxide (Zn/MnO₂)
(No Added Mercury or Cadmium)
- Designation:** ANSI-915, IEC-4R25
- Battery Voltage:** 6.0 Volts
- Operating Temp:** -18°C to 55°C (0°F to 130°F)
- Average Weight:** 600 grams (21.2 oz.)
- Volume:** 488 cubic centimeters (30 cubic inch)
- Average Capacity:** 11 Ah to 0.8 volts / cell
(Rated at 25k ohms continuous at 21°C)
- Cell:** Four No. 60 (size "F") in series
- Jacket:** Plastic

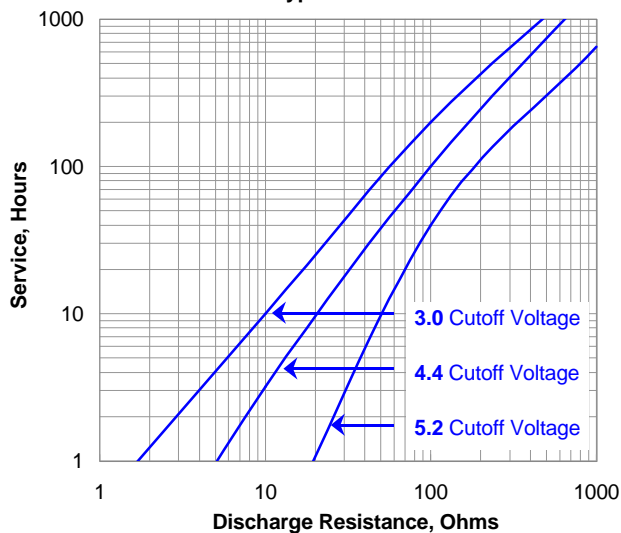
INTERNAL RESISTANCE VS. TEMPERATURE

The measurement is an approximation of the battery's actual internal resistance. It is sensitive to the loads and operator technique.

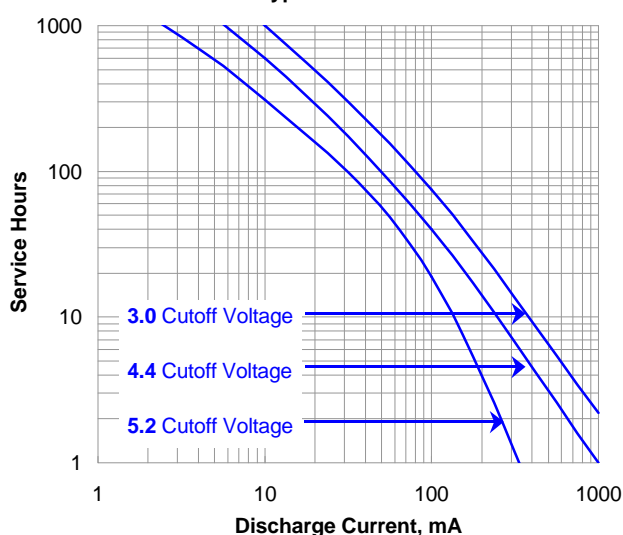
- Schedule:** Background Load 600 ohms
- Pulse Load 10 ohms
- Pulse Duration 1 second

| Temperature | Typical Ri (ohms) |
|--------------|-------------------|
| 45°C (113°F) | 0.7 |
| 21°C (70°F) | 0.8 |
| 0°C (32°F) | 1.0 |
| -21°C (-4°F) | 10.0 |

CONSTANT RESISTANCE PERFORMANCE
 Typical Service



CONSTANT CURRENT DISCHARGE
 Typical Service

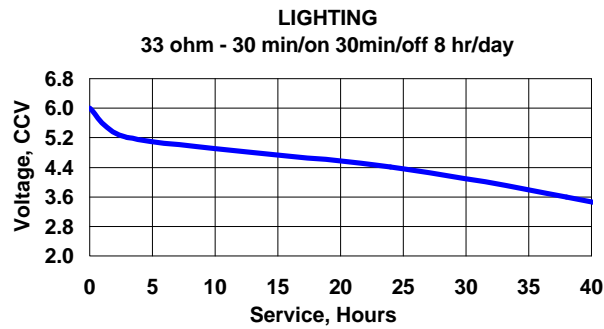
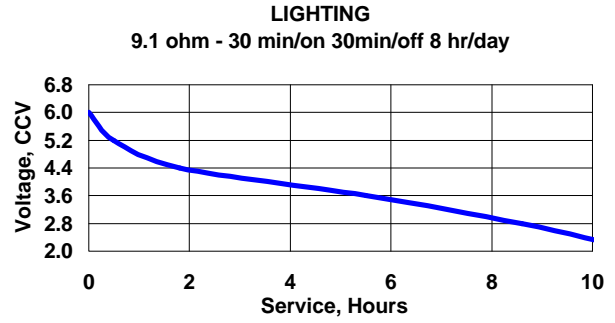
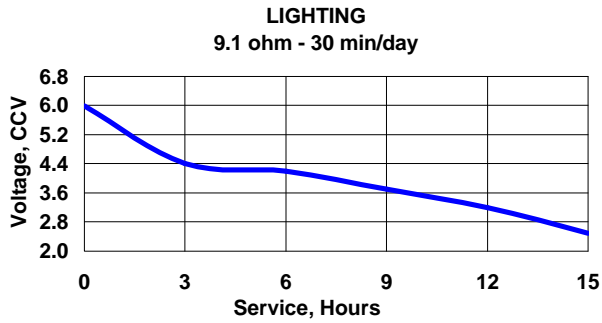


Important Notice

This data sheet contains information specific to batteries manufactured at the time of its publication.
Contents herein do not constitute a warranty.

ENERGIZER NO. 510S

Typical Applications



Important Notice

This data sheet contains information specific to batteries manufactured at the time of its publication.
Contents herein do not constitute a warranty.