



Eveready Battery Company, Inc.

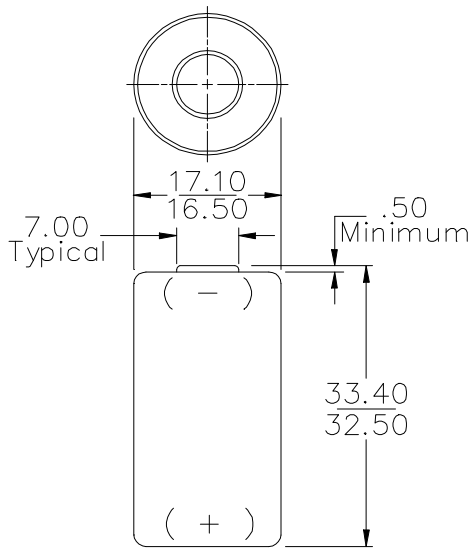
533 Maryville University Drive  
 St. Louis, MO 63141  
 Telephone 1-800-383-7323  
 Internet: www.energizer.com

## Engineering Data

Alkaline 3V

NOT INTENDED FOR RETAIL TRADE

### EVEREADY NO. EN132A



**Chemical System:** Zinc-Manganese Dioxide (Zn/MnO<sub>2</sub>)

**Designation:** ANSI / NEDA-1200A, IEC-2LR50

**Battery Voltage:** 3.0 Volts

**Typical Weight:** 18 grams (0.6 oz.)

**Volume:** 7.7 cubic centimeters (0.5 cubic inch)

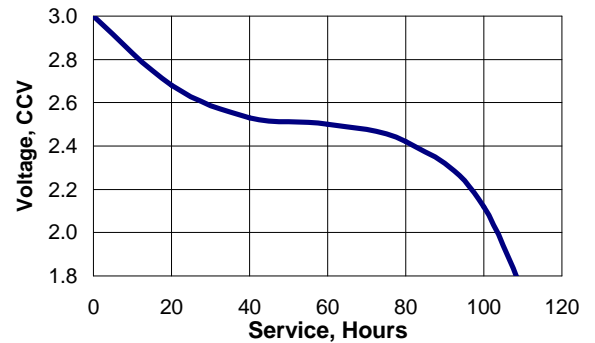
**Average Service capacity (to 1.8 Volt):** 650 mAh  
 (Rated Capacity at 440 ohms continuous at 20°C)

**Cell:** Two No. 1A-P in series

#### Dimensions (mm)

Millimeters	Inches
0.50	0.020
7.00	0.276
16.50	0.650
17.10	0.673
32.50	1.280
33.40	1.315

#### TYPICAL DISCHARGE CHARACTERISTICS Simulated Test at 21°C (70°F)



#### SIMULATED APPLICATION TESTS Estimated Average Service at 21°C (70°F)

Schedule	Typical Drains 2.5V (milliamperes)	Load (ohms)	Cutoff Voltage
			1.8V hours
24 hours / day	5.7	440	114

#### IMPORTANT NOTICE

This data sheet contains information specific to batteries manufactured at time of its publication. Please contact your Energizer representative for most current information. Contents herein do not constitute a warranty.