



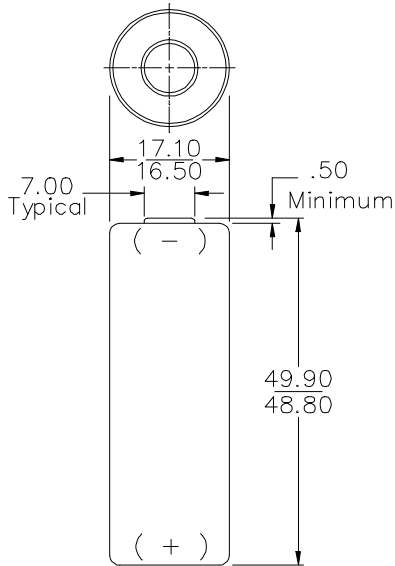
Eveready Battery Company, Inc.

Checkerboard Square
 St. Louis, MO 63164
 Telephone 1-800-383-7323
 Internet: www.energizer.com

Engineering Data

Alkaline 4.5V
NOT INTENDED FOR RETAIL TRADE

EVEREADY NO. EN133A



Chemical System: Zinc-Manganese Dioxide (Zn/MnO₂)

Designation: ANSI / NEDA-1306A, IEC-3LR50

Battery Voltage: 4.5 Volts

Typical Weight: 27 grams (1.0 oz.)

Volume: 11.4 cubic centimeters (0.7 cubic inch)

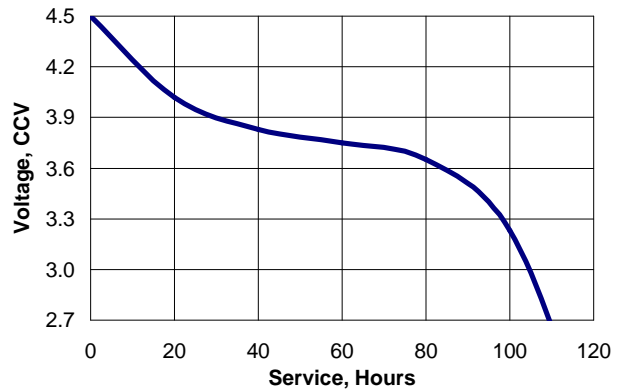
Average Service capacity (to 2.7 Volt): 650 mAh
 (Rated Capacity at 650 ohms continuous at 20°C)

Cell: Three No 1A-P in series

Dimensions (mm)

Millimeters	Inches
0.50	0.020
7.00	0.276
16.50	0.650
17.10	0.673
48.80	1.921
49.90	1.965

TYPICAL DISCHARGE CHARACTERISTICS Simulated Test at 21°C (70°C)



SIMULATED APPLICATION TESTS Estimated Average Service at 21°C (70°F)

Schedule	Typical Drains 3.75V (milliamperes)	Load (ohms)	Cutoff Voltage
			2.7V hours
24 hours / day	5.7	650	114

IMPORTANT NOTICE

This data sheet contains information specific to batteries manufactured at time of its publication. Please contact your Energizer representative for most current information. Contents herein do not constitute a warranty.