



Eveready Battery Company, Inc.

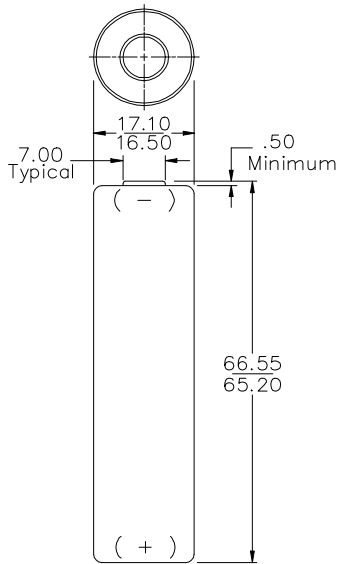
533 Maryville University Drive
 St. Louis, MO 63141
 Telephone 1-800-383-7323
 Internet: www.energizer.com

Engineering Data

Alkaline 6V

NOT INTENDED FOR RETAIL TRADE

EVEREADY NO. EN134A



Chemical System: Zinc-Manganese Dioxide (Zn/MnO₂)

Designation: ANSI / NEDA-1409A, IEC-4LR50

Battery Voltage: 6.0 Volts

Typical Weight: 36 grams (1.3 oz.)

Volume: 15.3 cubic centimeters (0.9 cubic inch)

Average Service capacity (to 3.6 Volt): 650 mAh
 (Rated Capacity at 880 ohms continuous at 20°C)

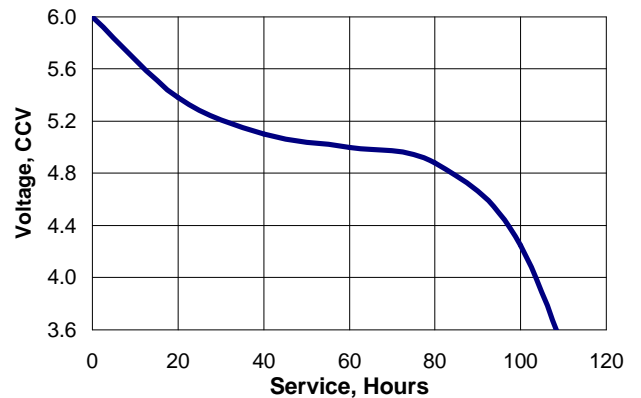
Cell: Four No. 1A-P in series

Dimensions (mm)

Millimeters	Inches
0.50	0.020
7.00	0.276
16.50	0.650
17.10	0.673
65.20	2.567
66.55	2.620

TYPICAL DISCHARGE CHARACTERISTICS

Simulated Test at 21°C (70°C)



SIMULATED APPLICATION TESTS Estimated Average Service at 21°C (70°F)

Schedule	Typical Drains 5.0V (milliamperes)	Load (ohms)	Cutoff Voltage
			3.6V hours
24 hours / day	5.7	880	114

IMPORTANT NOTICE

This data sheet contains information specific to batteries manufactured at time of its publication. Please contact your Energizer representative for most current information. Contents herein do not constitute a warranty.