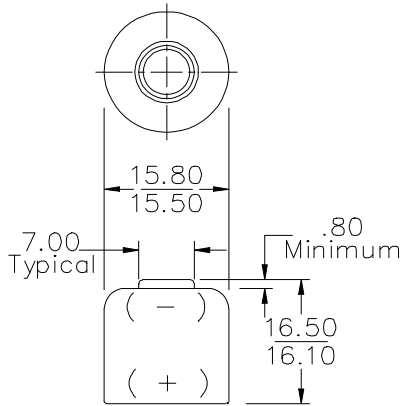




Engineering Data

Alkaline 1.5V
NOT INTENDED FOR RETAIL TRADE

EVEREADY NO. EN1A



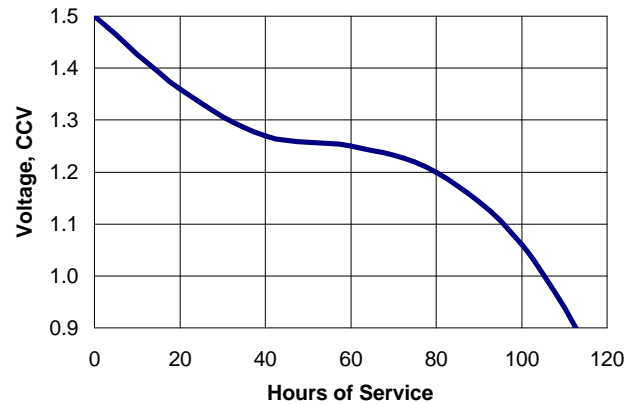
Chemical System: Zinc-Manganese Dioxide (Zn/MnO₂)
Designation: ANSI / NEDA-1100A, IEC-LR50
Battery Voltage: 1.5 Volts
Typical Weight: 8.3 grams (0.3 oz.)
Volume: 3.2 cubic centimeters (0.2 cubic inch)
Average Service capacity (to 1.8 Volt): 650 mAh
 (Rated Capacity at 220 ohms continuous at 20°C)
Cell: 1A-P

Dimensions (mm)

Millimeters	Inches
0.80	0.031
7.00	0.276
15.50	0.610
15.80	0.622
16.10	0.634
16.50	0.650

DESIGNED SPECIFICALL FOR PHOTO USE

TYPICAL DISCHARGE CHARACTERISTICS Simulated Test at 21°C (70°C)



SIMULATED APPLICATION TESTS Estimated Average Service at 21°C (70°F)

Schedule	Typical Drains 1.25V (milliamperes)	Load (ohms)	Cutoff Voltage
			0.9V hours
24 hours / day	5.7	220	114

IMPORTANT NOTICE

This data sheet contains information specific to batteries manufactured at time of its publication. Please contact your Energizer representative for most current information. Contents herein do not constitute a warranty.