



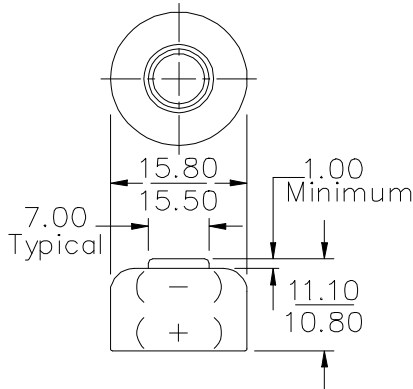
Eveready Battery Company, Inc.

533 Maryville University Drive
 St. Louis, MO 63141
 Telephone 1-800-383-7323
 Internet: www.energizer.com

Engineering Data

Alkaline 1.5V
NOT INTENDED FOR RETAIL TRADE

EVEREADY NO. EN640A



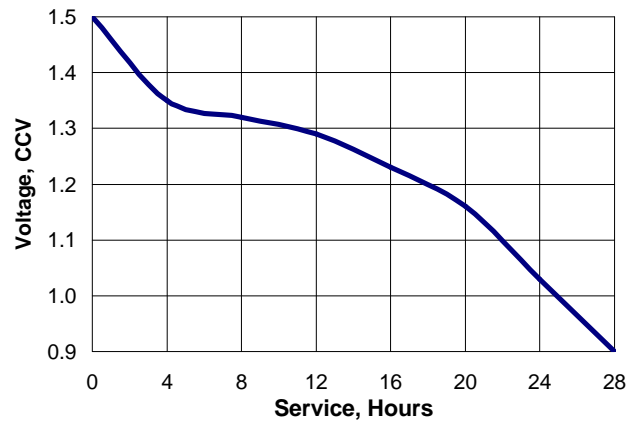
Chemical System: Zinc-Manganese Dioxide (Zn/MnO₂)
Designation: ANSI / NEDA-1126A, IEC-LR52
Battery Voltage: 1.5 Volts
Typical Weight: 6 grams (0.2 oz.)
Volume: 2.2 cubic centimeters (0.1 cubic inch)
Average Service capacity (to 0.9 Volt): 335 mAh
 (Rated Capacity at 100 ohms continuous at 20°C)
Cell: 640A-P

Dimensions (mm)

Millimeters	Inches
1.00	0.039
7.00	0.276
10.80	0.425
11.10	0.437
15.50	0.610
15.80	0.622

DESIGNED SPECIFICALLY FOR PHOTO USE

TYPICAL DISCHARGE CHARACTERISTICS Simulated Test at 21°C (70°C)



SIMULATED APPLICATION TESTS Estimated Average Service at 21°C (70°F)

Schedule	Typical Drains 1.25V (milliamperes)	Load (ohms)	Cutoff Voltage
			0.9V hours
24 hours / day	12.5	100	28

IMPORTANT NOTICE

This data sheet contains information specific to batteries manufactured at time of its publication. Please contact your Energizer representative for most current information. Contents herein do not constitute a warranty.