

2-2 Coin Type Lithium Batteries

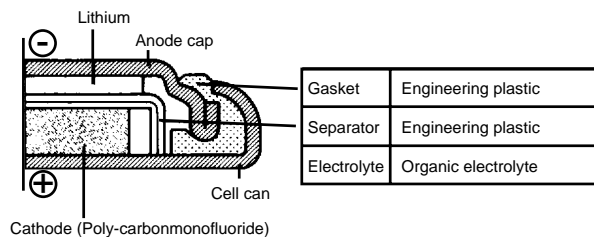
2-2-2 High Operating Temperature Poly-carbonmonofluoride Lithium Batteries (BR "A" series)



Features

The materials for the gasket and separator featured in these coin-type lithium batteries have been replaced with a special engineering plastic and the operating temperature range has been significantly increased by employing an electrolyte with a high boiling point.

General Construction



Applications

- Memory backup power supplies in office automation equipment, factory automation equipment, home electrical appliances, etc.
- Power supplies for meters of various kinds

Note: Please contact Panasonic to confirm that the battery to be used is suitable for the intended application before purchase and/or use. Otherwise, your intended specification will not be satisfied.

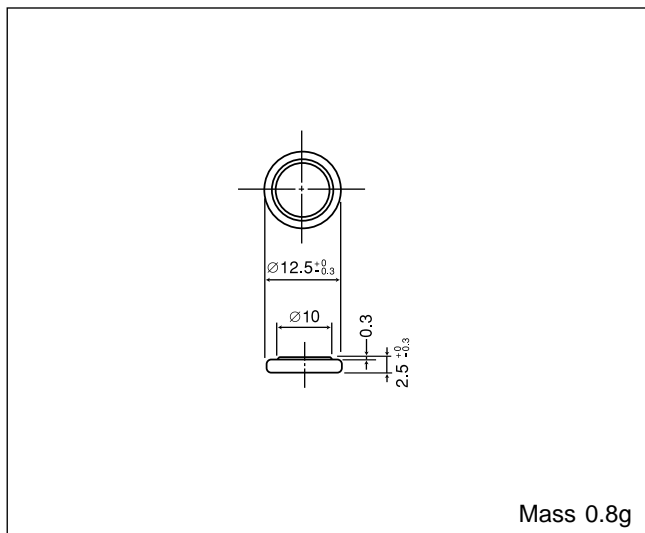
General Specifications

Model No.	Electrical characteristics (20°C)			Dimensions(mm)		Mass(g)	JIS	IEC
	Nominal voltage(V)	*Nominal capacity(mAh)	Continuous drain(mA)	Diameter	Height			
BR1225A	3	48	0.03	12.5	2.5	0.8	-	-
BR1632A	3	120	0.03	16.0	3.2	1.5	-	-
BR2330A	3	255	0.03	23.0	3.0	3.2	-	-
BR2450A(Under development)	3	550	0.03	24.5	5.0	5.9	-	-
BR2477A	3	1000	0.03	24.5	7.7	8.0	-	-
BR2777A	3	1000	0.03	27.5	7.7	8.0	-	-

* Nominal capacity shown above is based on standard drain and cut off voltage down to 2.0V at 20°C.

BR1225A

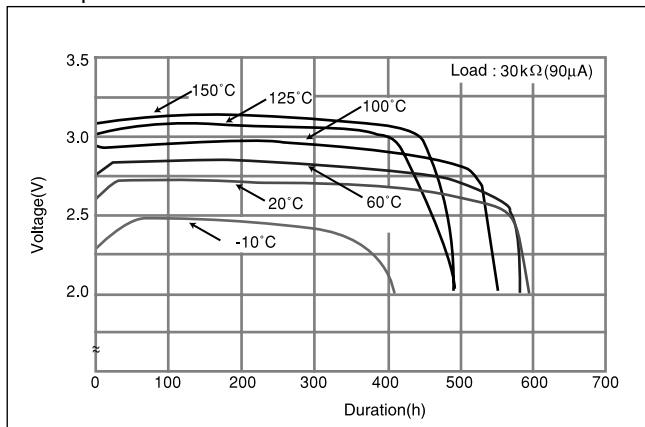
■ Dimensions(mm)



■ Specification

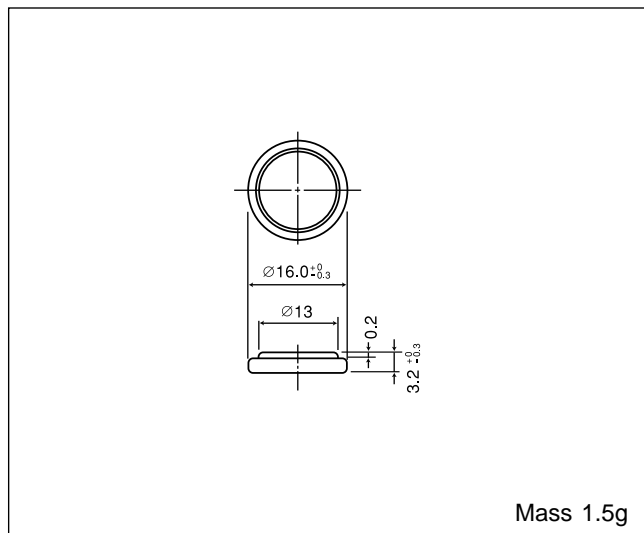
Nominal voltage(V)	3
Nominal capacity(mAh)	48
Continuous drain(mA)	0.03
Operating temperature(°C)	-40 ~ +125

■ Temperature Characteristics



BR1632A

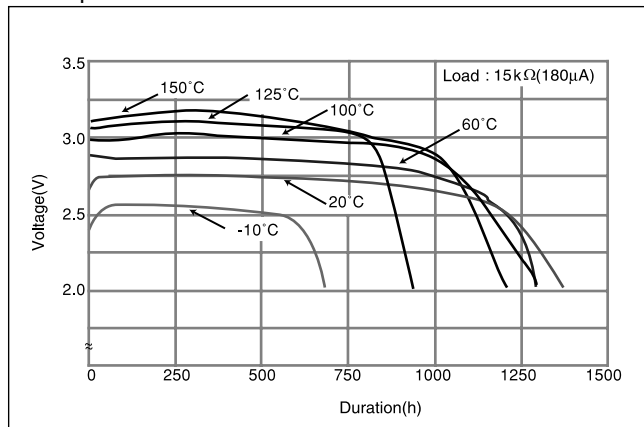
■ Dimensions(mm)



■ Specification

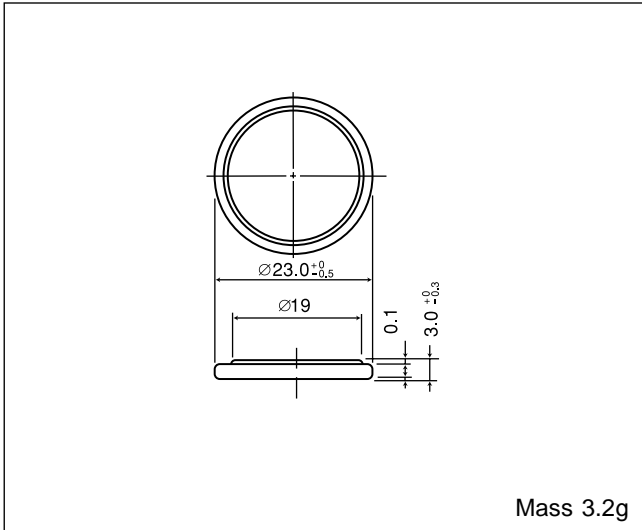
Nominal voltage(V)	3
Nominal capacity(mAh)	120
Continuous drain(mA)	0.03
Operating temperature(°C)	-40 ~ +125

■ Temperature Characteristics



BR2330A

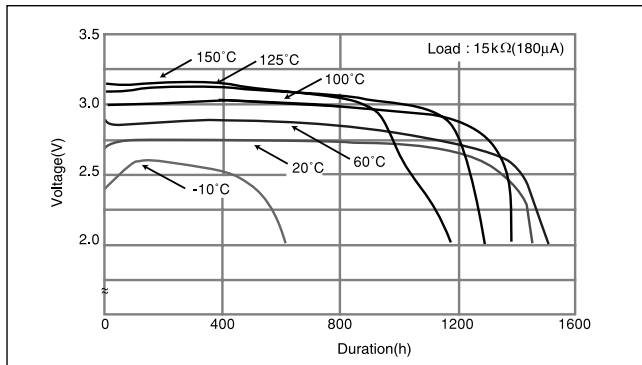
■ Dimensions(mm)



■ Specification

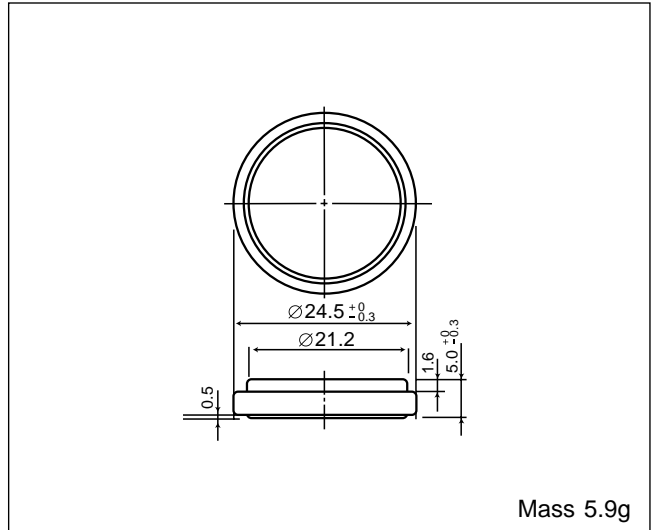
Nominal voltage(V)	3
Nominal capacity(mAh)	255
Continuous drain(mA)	0.03
Operating temperature(°C)	-40 ~ +125

■ Temperature Characteristics



BR2450A(Under development)*

■ Dimensions(mm)



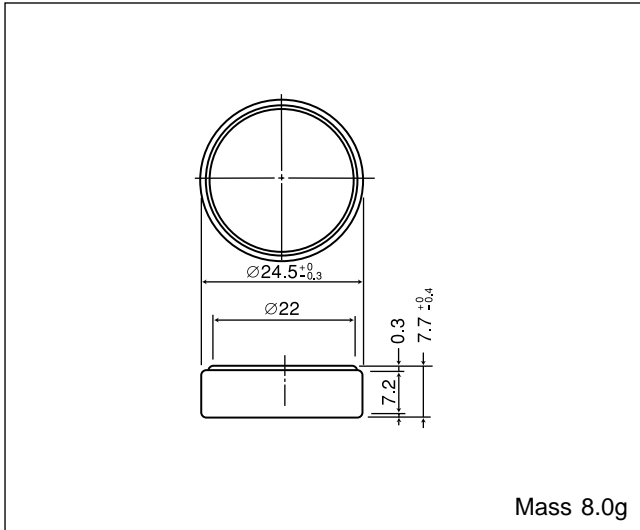
■ Specification

Nominal voltage(V)	3
Nominal capacity(mAh)	550
Continuous drain(mA)	0.03
Operating temperature(°C)	-40 ~ +125

* Please contact Panasonic for the latest information on this product.

BR2477A

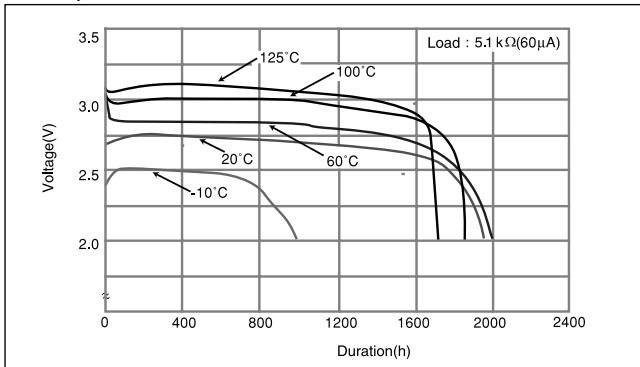
■ Dimensions(mm)



■ Specification

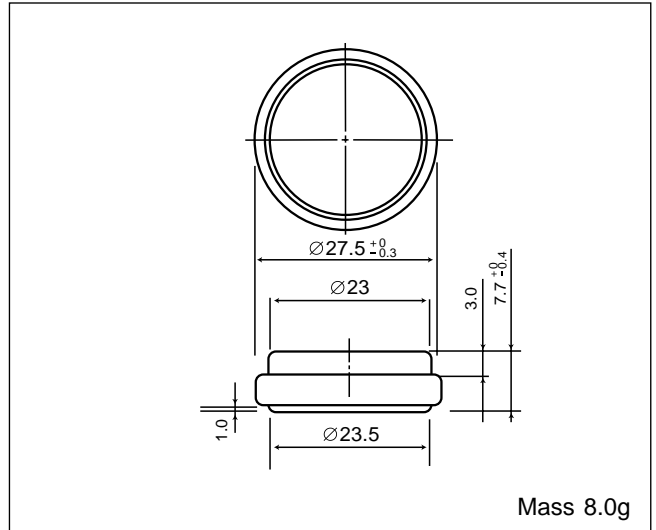
Nominal voltage(V)	3
Nominal capacity(mAh)	1,000
Continuous drain(mA)	0.03
Operating temperature(°C)	-40 ~ +125

■ Temperature Characteristics



BR2777A

■ Dimensions(mm)



■ Specification

Nominal voltage(V)	3
Nominal capacity(mAh)	1,000
Continuous drain(mA)	0.03
Operating temperature(°C)	-40 ~ +125

■ Temperature Characteristics

