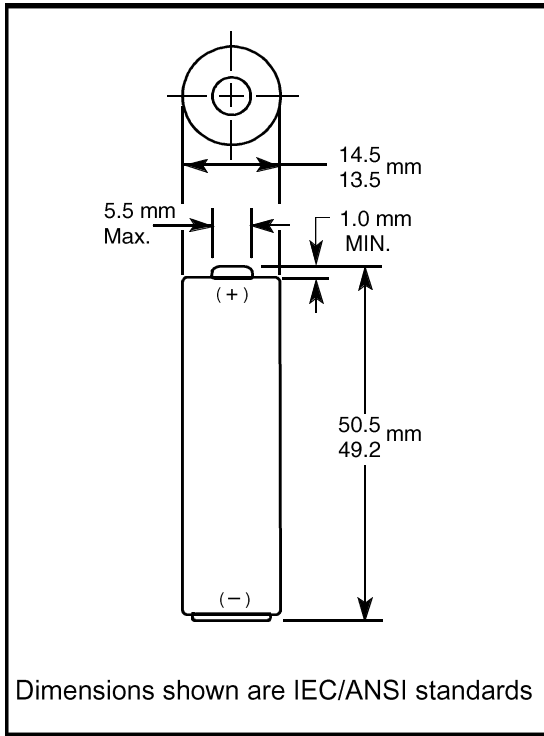


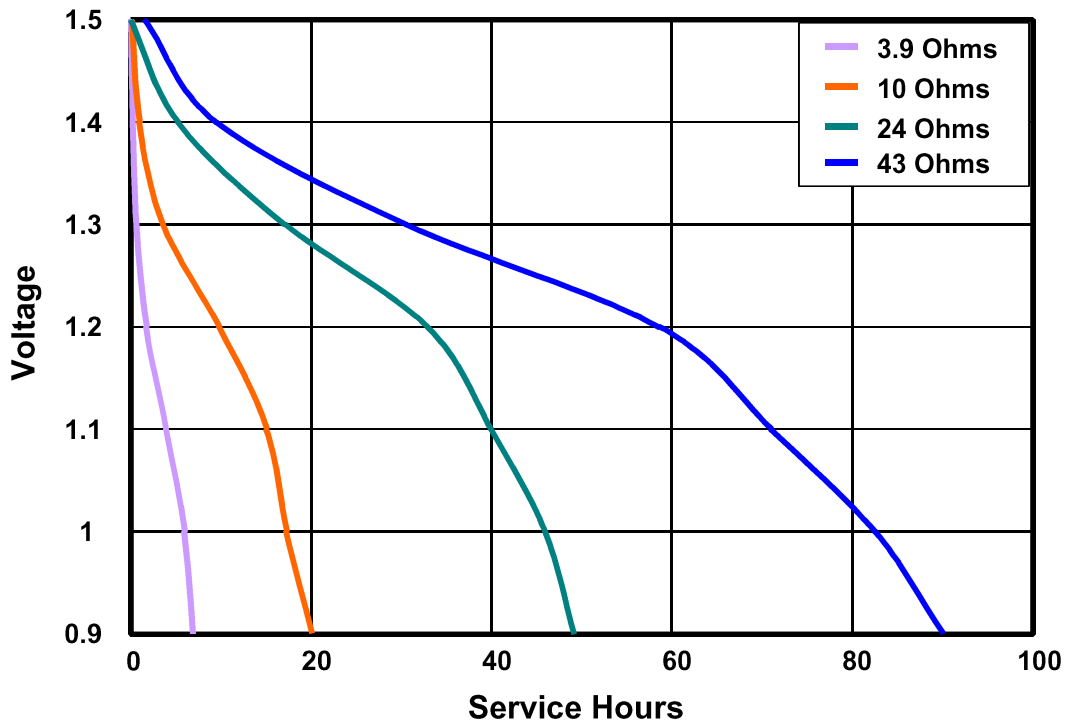
# Alkaline-Manganese Dioxide Battery

**Size: AA (LR6)**



|                                     |  |
|-------------------------------------|--|
| <b>Nominal Voltage:</b>             | 1.5 V  |
| <b>Nominal Internal Impedance:</b>  | 181 m-ohm @ 1kHz                             |
| <b>Average Weight:</b>              | 23.8 gm (0.84 oz.)                           |
| <b>Volume:</b>                      | 8.4 cm <sup>3</sup> (0.51 in. <sup>3</sup> ) |
| <b>Terminals:</b>                   | Flat   |
| <b>Operating Temperature Range:</b> | -20°C to 54°C<br>(-4°F to 130°F)             |
| <b>ANSI:</b>                        | 15A  |
| <b>IEC:</b>                         | LR6  |

## TYPICAL DISCHARGE CHARACTERISTICS AT 21°C (70°F)



\* Delivered capacity is dependent on the applied load, operating temperature and cut-off voltage. Please refer to the charts and discharge data shown for examples of the energy / service life that the battery will provide for various load conditions.

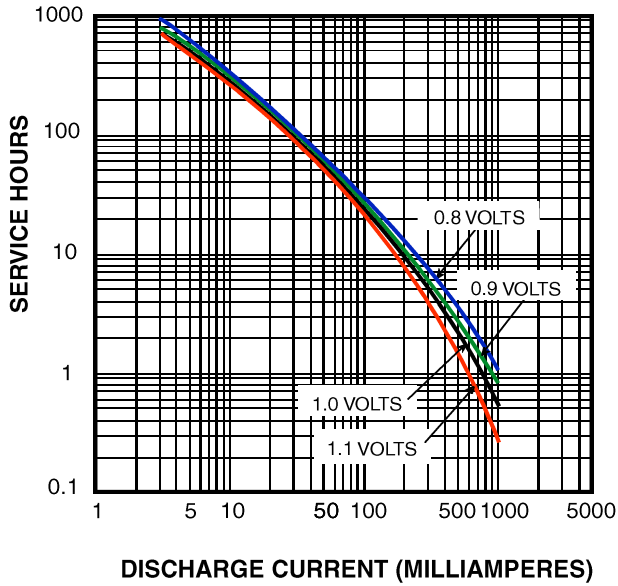


# Alkaline-Manganese Dioxide Battery

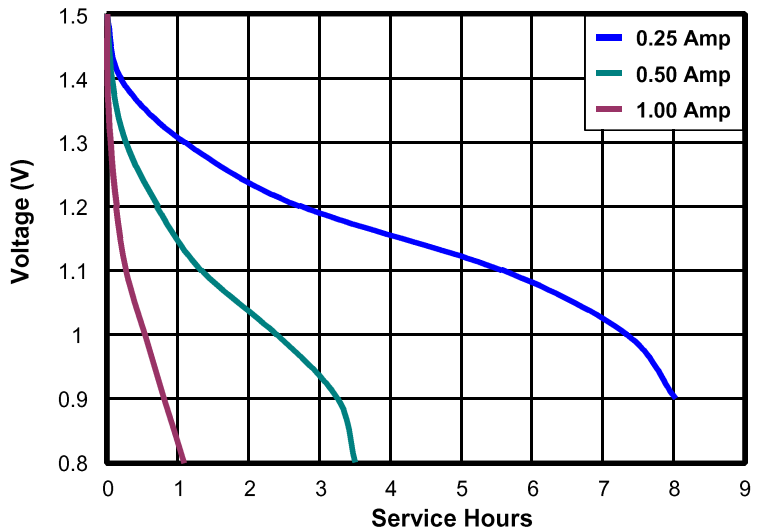
## Size: AA (LR6)

Zn/MnO<sub>2</sub>

### TYPICAL DISCHARGE CHARACTERISTICS AT 21°C (70°F)



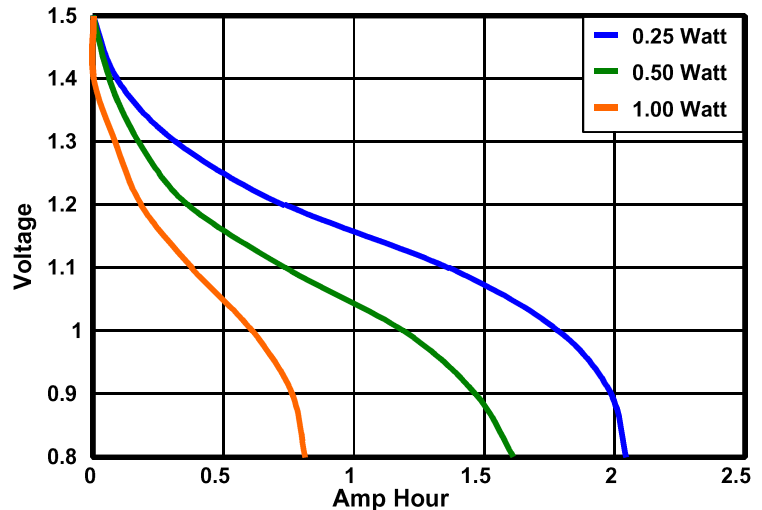
### TYPICAL DISCHARGE CHARACTERISTICS AT 21°C (70°F)



### TYPICAL DISCHARGE CHARACTERISTICS AT 21°C (70°F)



### TYPICAL DISCHARGE CHARACTERISTICS AT 21°C (70°F)



# DURACELL®

BATTERIES

Berkshire Corporate Park  
Bethel, CT 06801 U.S.A.  
Telephone: Toll-free 1-800-334-2656  
Internet: www.duracell.com

\* Delivered capacity is dependent on the applied load, operating temperature and cut-off voltage. Please refer to the charts and discharge data shown for examples of the energy / service life that the battery will provide for various load conditions.