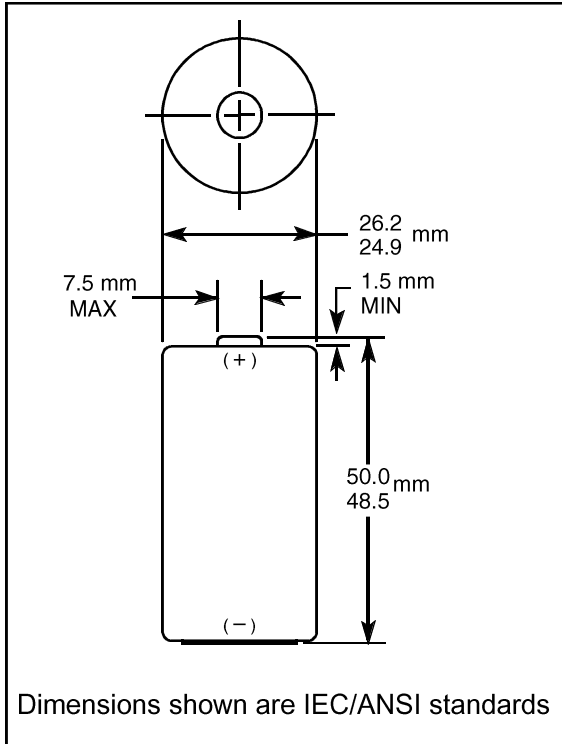




# Alkaline-Manganese Dioxide Battery

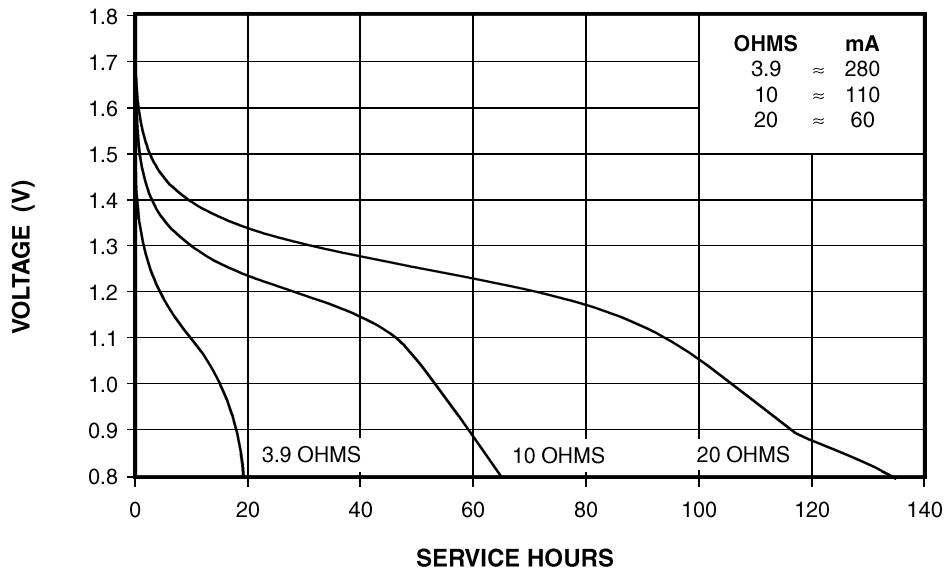
Size: C (LR14)

Zn/MnO<sub>2</sub>



<b>Nominal Voltage:</b>	1.5 V
<b>Nominal Internal Impedance:</b>	235 m-ohm @ 1kHz
<b>Average Weight:</b>	69 gm (2.43 oz.)
<b>Volume:</b>	26.9 cm <sup>3</sup> (1.64 in. <sup>3</sup> )
<b>Terminals:</b>	Flat
<b>Operating Temperature Range:</b>	-20°C to 54°C (-4°F to 130°F)
<b>ANSI:</b>	14A
<b>IEC:</b>	LR14

## TYPICAL DISCHARGE CHARACTERISTICS AT 21 °C (70°F)



\* Delivered capacity is dependent on the applied load, operating temperature and cut-off voltage. Please refer to the charts and discharge data shown for examples of the energy / service life that the battery will provide for various load conditions.

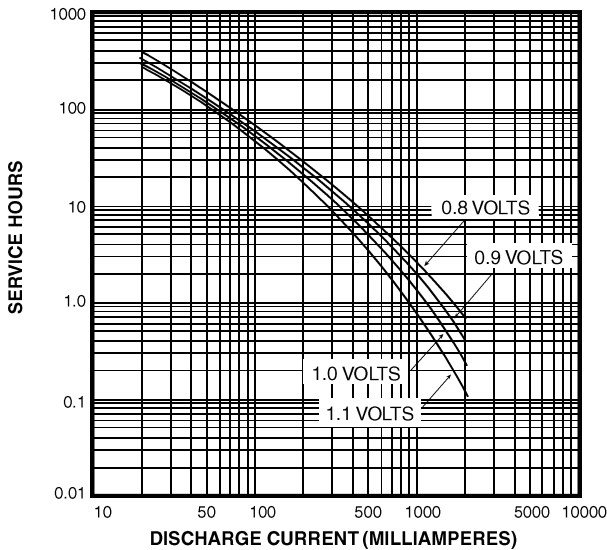
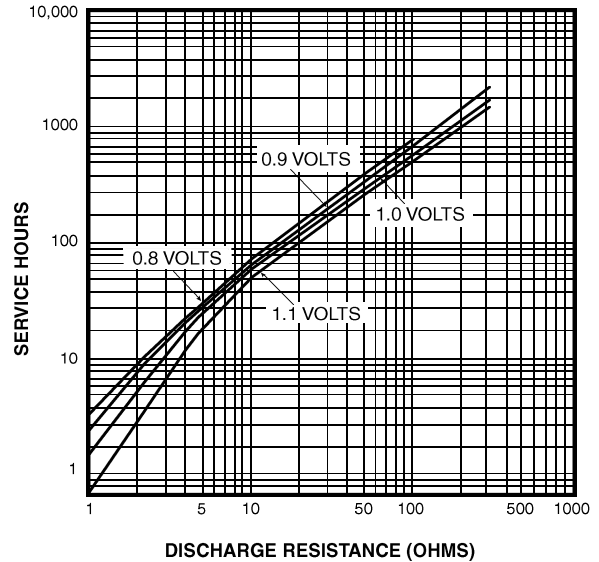


# Alkaline-Manganese Dioxide Battery

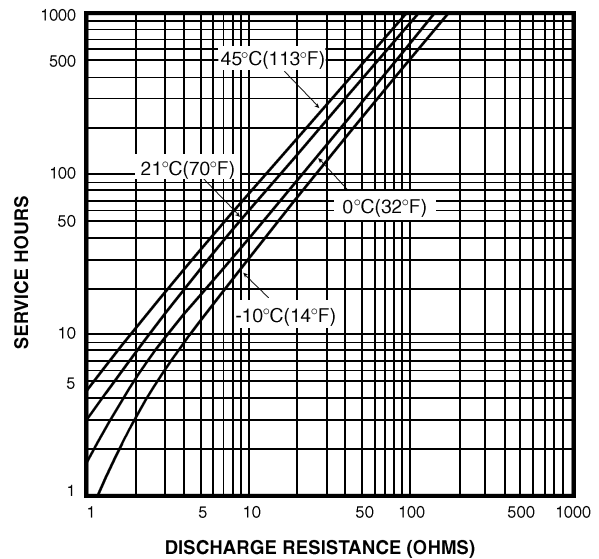
## Size: C (LR14)

Zn/MnO<sub>2</sub>

**TYPICAL CONTINUOUS PERFORMANCE CHARACTERISTICS WITH CONSTANT RESISTANCE TO VARIOUS CUTOFF VOLTAGES AT 21 °C (70°F)**



**TYPICAL CONTINUOUS PERFORMANCE CHARACTERISTICS WITH CONSTANT CURRENT TO VARIOUS CUTOFF VOLTAGES AT 21 °C (70°F)**



**TYPICAL CONTINUOUS PERFORMANCE CHARACTERISTICS WITH CONSTANT RESISTANCE AT VARIOUS TEMPERATURES TO 0.8 VOLTS**

### DURACELL® BATTERIES

Berkshire Corporate Park  
Bethel, CT 06801 U.S.A.  
Telephone: Toll-free 1-800-334-2656  
Internet: www.duracell.com

\* Delivered capacity is dependent on the applied load, operating temperature and cut-off voltage. Please refer to the charts and discharge data shown for examples of the energy / service life that the battery will provide for various load conditions.