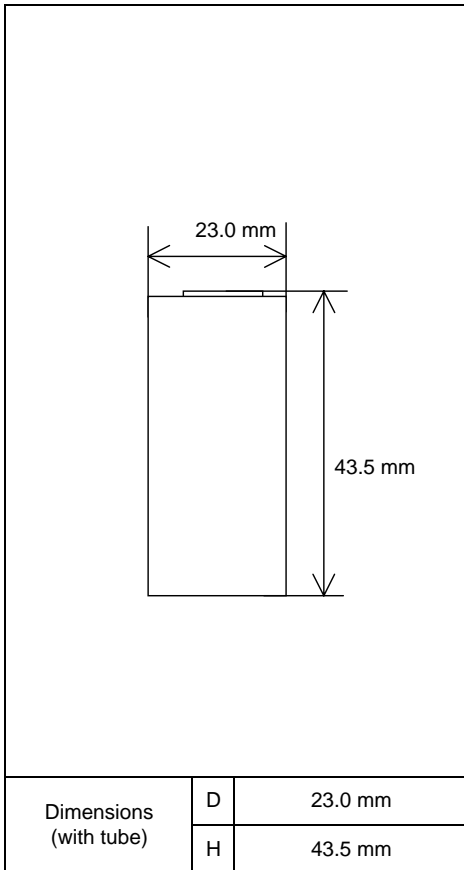


Specifications

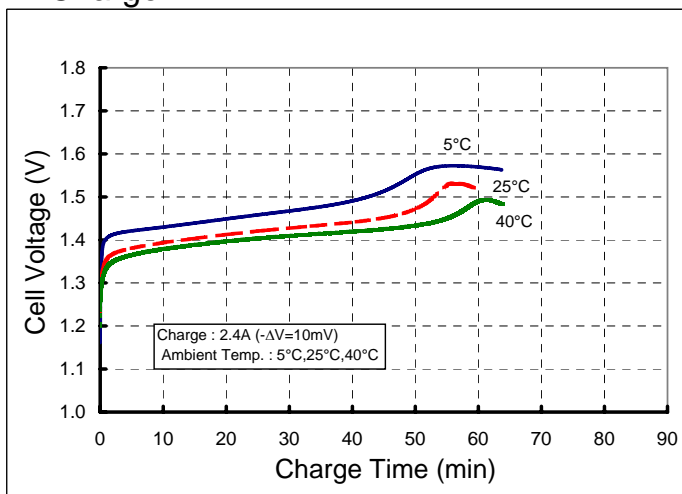


Type : Nickel-Cadmium Battery		Size : SC	
Capacity ¹⁾	Typical	2300mAh	
	Minimum	2250mAh	
Nominal Voltage		1.2V	
Charging Current x Time	Standard	240 mA x about 14 to 16Hrs.	
	Fast	3600 mA x about 1Hr.	
Ambient Temp.	Charge Condition	Standard	0°C to +45°C [+32°F to +113°F]
		Fast	+5°C to +40°C [+41°F to +104°F]
	Discharge Condition		-20°C to +60°C [-4°F to +140°F]
	Storage Condition		-30°C to +50°C [-22°F to +122°F]
Internal Impedance (Av.) (at 50% discharge)		About 3.5m (at 1000Hz)	
Weight ²⁾		About 60 g	
Size ²⁾ : (Diameter) x (Height)		23.0(D) x 43.5(H) mm	

1) Charge : 240mA x 16h, Discharge : 480mA (E.V.=1.0V) at 25°C
 2) With tube.

Typical Characteristics

Charge



Discharge

