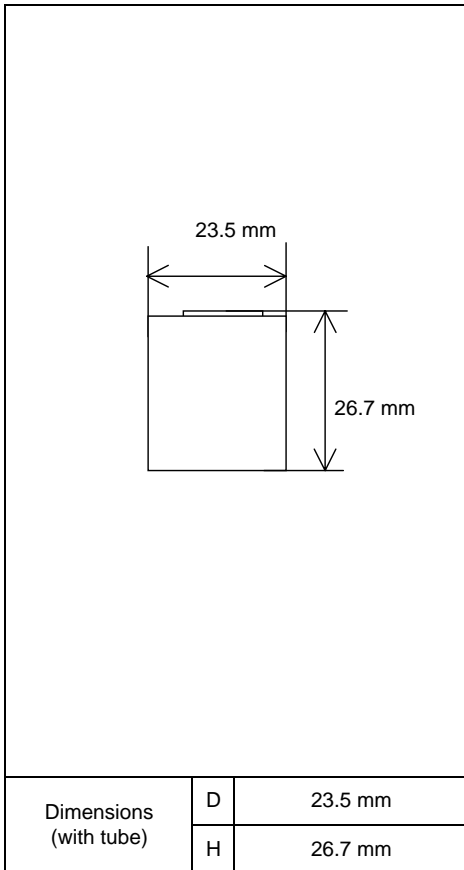


Specifications



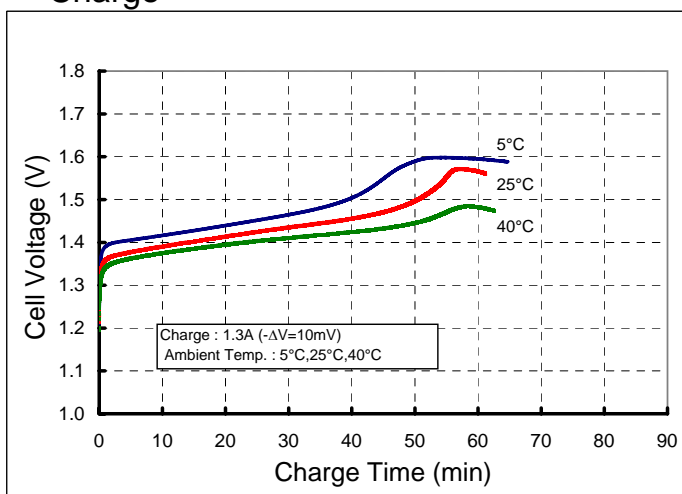
Type : Nickel-Cadmium Battery		Size : 2/3SC	
Capacity ₁₎	Typical	1300mAh	
	Minimum	1200mAh	
Nominal Voltage		1.2V	
Charging Current x Time	Standard	130 mA x about 14 to 16Hrs.	
	Fast	1950 mA x about 1Hr.	
Ambient Temp.	Charge Condition	Standard	0°C to +45°C [+32°F to +113°F]
		Fast	+5°C to +40°C [+41°F to +104°F]
	Discharge Condition		-20°C to +60°C [-4°F to +140°F]
	Storage Condition		-30°C to +50°C [-22°F to +122°F]
Internal Impedance (Av.) (at 50% discharge)		About 5.0m (at 1000Hz)	
Weight ₂₎		About 35 g	
Size ₂₎ : (Diameter) x (Height)		23.5(D) x 26.7(H) mm	

1) Charge : 130mA x 16h, Discharge : 260mA (E.V.=1.0V) at 25°C

2) With tube.

Typical Characteristics

Charge



Discharge

